

## Enhanced Leading Technology

### DP200 METAL PUMPS

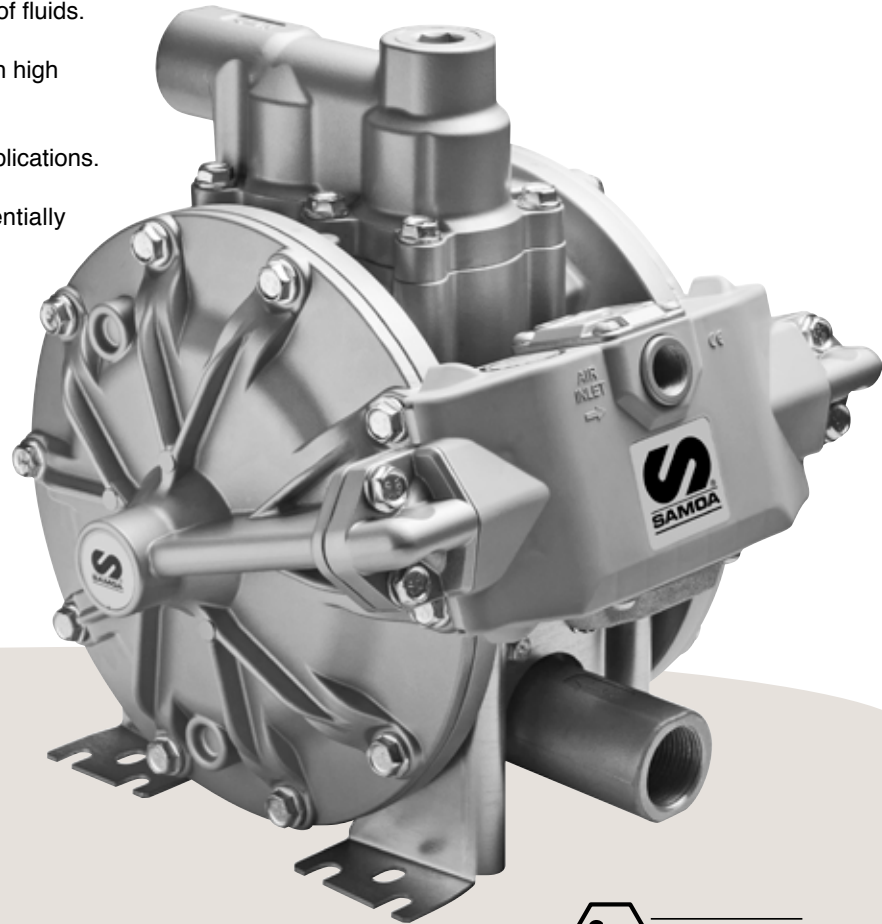
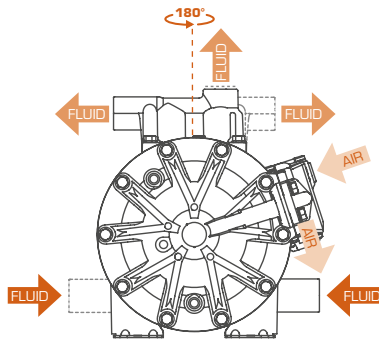
Air operated double diaphragm pumps for dosing, spraying, transferring, evacuating and distributing a wide variety of fluids.

Designed for maximum performance and efficiency with high flow rates.

Very robust metal pumps designed for the toughest applications.

Fully groundable ATEX certified pumps for use in potentially explosive atmospheres (Ex II2 GD IIB/IIC 95 °C).

**1"**  
**200 l/min**  
**53 US gal/min**



Orientable ports, increased installation versatility.



### RECOMMENDED MODELS

MODEL	PUMP BODY	DIAPHRAGMS	BALLS	SEATS	OTHER WETTED MATERIALS	RECOMMENDED APPLICATIONS	
DP200AASNANNBAS	Aluminium	Buna-N	Buna-N	Aluminium	-	ATEX pump. Coolant, new and waste oil, cutting fluids, diesel.	Ex
DP200AASVHTHBAS	Aluminium	TPE	PTFE	TPE	FKM	ATEX pump. Coolant fluids, water and Ph neutral aqueous solutions, bilge water, hydraulic fluids.	Ex
DP200AASEMTMBAS	Aluminium	Santoprene®	PTFE	Santoprene®	EPDM	ATEX pump. Water based flexo and gravure inks. Water based paint. Some types of glue.	Ex
DP200AASTATTBAS	Aluminium	PTFE	PTFE	Aluminium	-	ATEX pump. Chemicals compatible with stainless steel and aluminium. Solvents (ketones, acetates and aldehydes, aliphatic and aromatic hydrocarbons) and solvent based paint, inks and varnishes. NOT FOR CHLORINATED HYDROCARBON SOLVENTS.	Ex
DP200AASTASTBAS	Aluminium	PTFE	Stainless Steel	Aluminium	-	ATEX pump. Chemicals compatible with stainless steel and aluminium. Solvents (ketones, acetates and aldehydes, aliphatic and aromatic hydrocarbons) and solvent based paint, inks and varnishes. Stainless steel balls allow its use with higher viscosity fluids. NOT FOR CHLORINATED HYDROCARBON SOLVENTS.	Ex
DP200ASSTSTTBAS	Stainless Steel	PTFE	PTFE	Stainless Steel	-	ATEX pump. Chemicals compatible with stainless steel. Solvent based paint, inks and varnishes.	Ex
DP200ASSTSSTBAS	Stainless Steel	PTFE	Stainless Steel	Stainless Steel	-	ATEX pump. Chemicals compatible with stainless steel. Solvent based paint, inks and varnishes. Stainless steel balls allow its use with higher viscosity fluids.	Ex

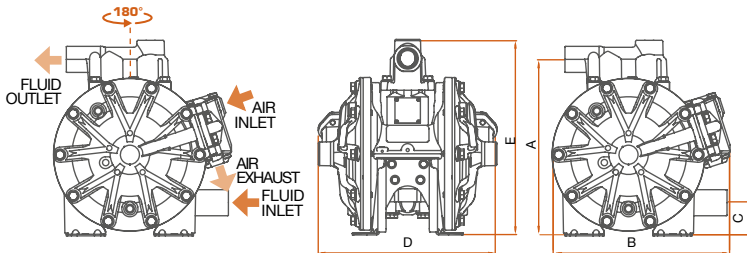
WARNING: DO NOT USE aluminium body pumps with halogenated hydrocarbon solvents.

## DP200 METAL PUMPS

### TECHNICAL DATA

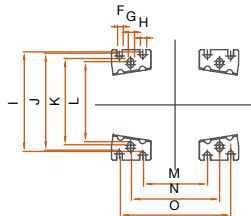
Pressure ratio	1:1
Maximum free delivery (1)	200 l/min (53 gal/min)
Delivery per stroke approx. (1)	0,5 litres (0.13 US gal)
Delivery per cycle (2 x strokes) (1)	1 litre (0.26 US gal)
Air pressure operating range	1,5 to 8 bar (22 to 115 psi)
Solids in suspension max. size	6 mm (1/4")
Maximum dry suction lift (1)	5 m (16')
Maximum wet suction lift (1)	8 m (26')
Weight	11,5 kg (23.35 lb)
Fluid inlet connection	1" BSP/NPT (F)
Fluid outlet connection	1" BSP/NPT (F)
Air inlet connection	3/8" NPSM (F)
Wetted part materials	See recommended models

(1) Data measured with water, air inlet pressure 7 bar (100 psi), 20 °C (68 °F).



### Dimensions (mm)

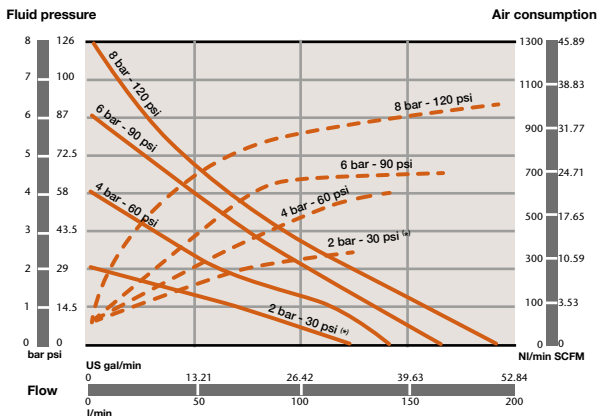
A	B	C	D	E	F*	G*/H*
278	280	52	281	308	9	10
I	J	K	L	M	N	O
158	154	137	127	102	140	175



\* Diameter of the holes for fasteners in each of the four pump feet.

## PERFORMANCE CURVES

Tested at room temperature, with water and flooded pump with 800 mm (31 1/2") height of water above the pump inlet.



— Outlet pressure  
- - - Air consumption

(\*) 2 bar test with a pump fitted with PTFE (Teflon®) diaphragms.

## DP200 METAL PUMP CODING SYSTEM

1	2	3	4	5	6	7	8	9	10
DP200	A	A	S	N	A	N	N	F	AS

### 1 PUMP SIZE

DP200

### 2 AIR MOTOR: DIRECTIONAL VALVE & AIR CHAMBER COVERS

A = Aluminium

### 3 WETTED PUMP BODY

A = Aluminium

S = Stainless Steel AISI 316

### 4 PUSH ROD

S = Stainless Steel AISI 420

### 5 SEALS

N = Buna-N

V = FKM (Viton®)

E = EPDM

T = PTFE (Teflon®)

### 6 CHECK VALVE SEATS

S = Stainless Steel AISI 316

A = Aluminium

N = Buna-N

M = Santoprene®

H = TPE (Hytrel®)

### 7 CHECK VALVE BALLS

T = PTFE (Teflon®)

N = Buna-N

S = Stainless Steel AISI 316

C = Acetal

### 8 DIAPHRAGMS

T = PTFE (Teflon®)

N = Buna-N

M = Santoprene®

H = TPE (Hytrel®)

### 9 FLUID CONNECTION THREADS

B = BSP

N = NPT

### 10 OPTIONS

AS = Standard pump

BS = Remote air exhaust

DS = Stroke sensor

FS = Extra muffler

